

# CHEMICAL AND ALLIED INDUSTRIES ASSOCIATION

Date: 14 MAY 2026



forestry, fisheries  
& the environment

Department:  
Forestry, Fisheries and the Environment  
REPUBLIC OF SOUTH AFRICA



A **NATION** THAT **WORKS** FOR ALL



Find us:  
Department of Forestry, Fisheries  
and the Environment



Follow us:  
Department of Forestry, Fisheries  
and the Environment (DFFE)



Watch us:  
EnvironmentZA



Follow us:  
@EnvironmentZA

Call centre: 086 111 2468 | Website: [www.dffe.gov.za](http://www.dffe.gov.za)

# Presentation outline

Brief introduction to the Environmental Management Inspectorate (Republic of South Africa)

Main areas of responsibility – Investigations

Analysing Big data, prioritising and planning

# Authorities making up the EMI

## National level:

- National Department of Forestry Fisheries and the Environment
- Department of Water and Sanitation
- Department of Mineral and Petroleum Resources



## Provincial Level:

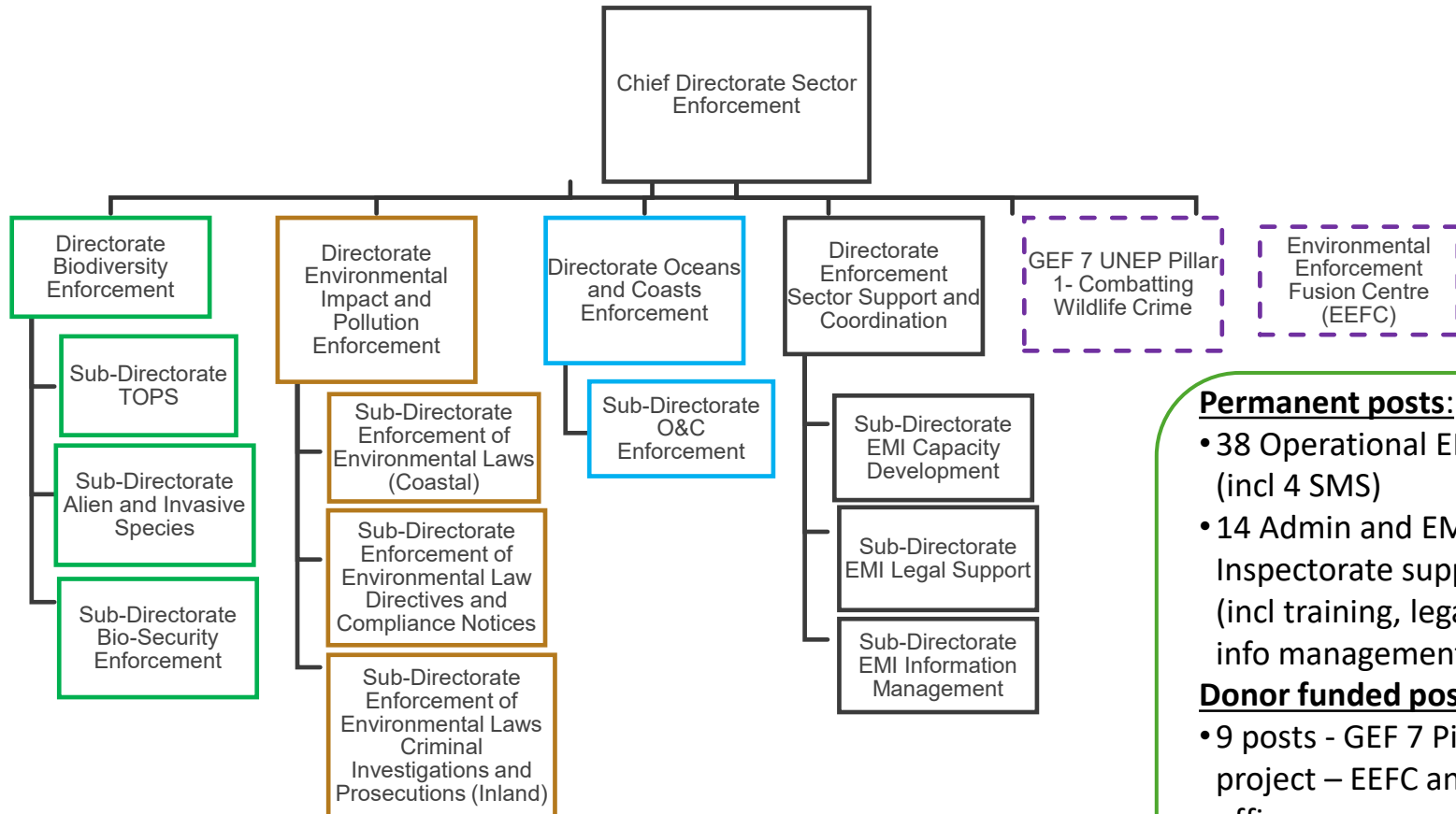
- **9 (nine)** Provincial Environmental Departments
- **7 (seven)** Conservation Authorities (SANPARKS national authority)

## Local Authorities:

- **257** municipalities
- 8 Metropolitan municipalities
- 44 Districts
- 205 local authorities



# CD: Sector Enforcement Structure



**Permanent posts:**

- 38 Operational EMI posts (incl 4 SMS)
- 14 Admin and EMI Inspectorate support posts (incl training, legal support, info management)

**Donor funded posts**

- 9 posts - GEF 7 Pillar 1 project – EEFC and PM office
- 1 post– GKEPF investigative support – wildlife

# Relationship with other law enforcement stakeholders

**Allows EMIs to investigate pure environmental crimes**

**Steering Committee formed to coordinate and implement initiatives**

**MEMORANDUM OF UNDERSTANDING**

ENTERED INTO BY AND BETWEEN

THE SOUTH AFRICAN POLICE SERVICE  
represented by

---

in his or her capacity as  
**National Commissioner of the South African Police Service; and**

and

THE DEPARTMENT: FORESTRY, FISHERIES AND THE ENVIRONMENT  
represented by

---

in his or her capacity as  
**Director-General of Department: Forestry, Fisheries and the Environment**

(hereinafter collectively referred to as the **PARTIES**)

**WHEREAS** the South African Police Service (hereinafter referred to as "SAPS") is an organ of state established and functioning in terms of Chapter 11 of the Constitution read with the South African Police Service Act, 1995 (Act No. 68 of 1995);

# Specialised Skill



# General approach to investigating waste crimes



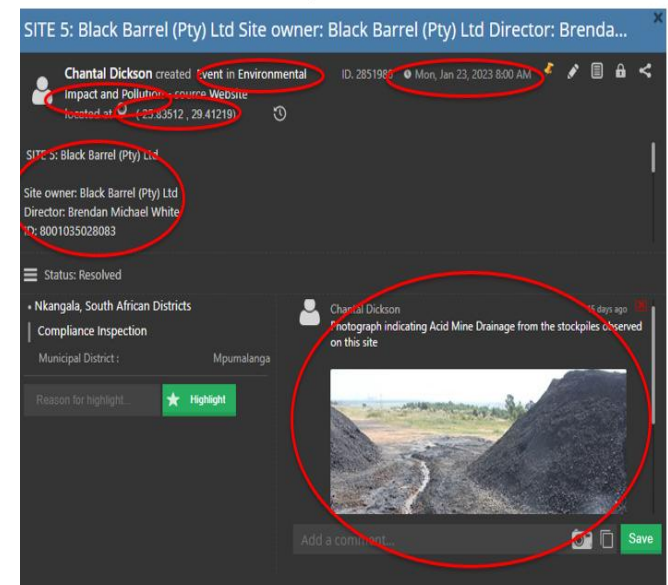
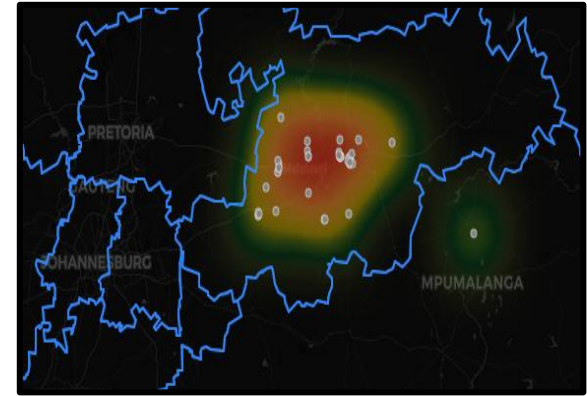
# Priority Initiatives in the Waste and Pollution Sector



# State versus Extreme Sandblasting Pty (Ltd)

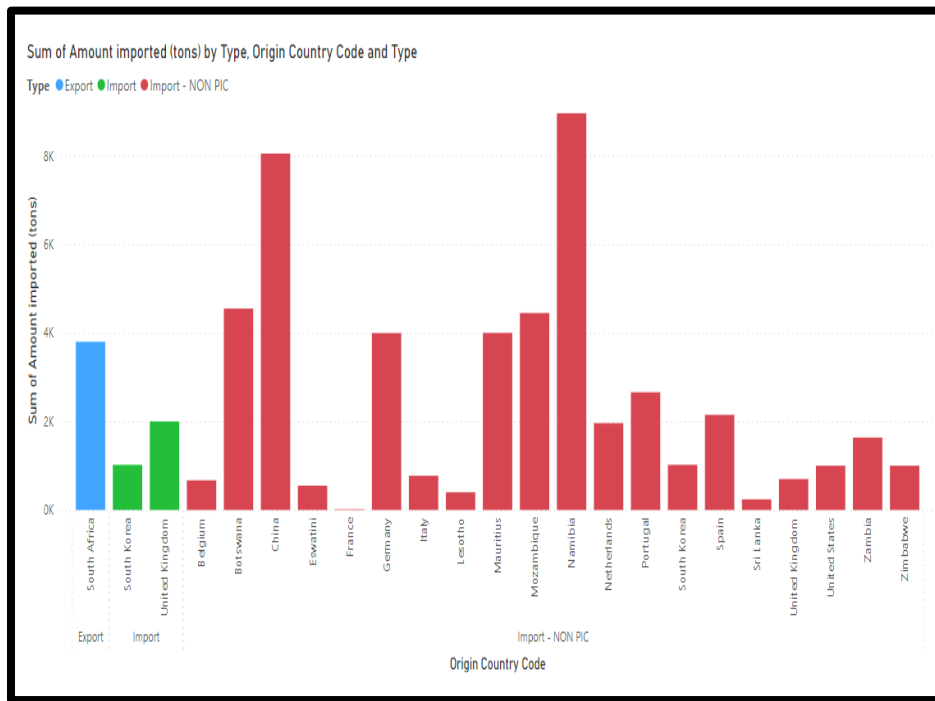
## Vosman CAS 431/01/2023

- **Organised crime in the waste and pollution Sector?**
- Contravention of Section 49A (1)(a)(f) of the NEMA
- Case formed part of the the National Energy Crisis Committee matters
- **105A plea and sentence agreement** – R6million wholly suspended on condition that rehabilitation is undertaken on the property

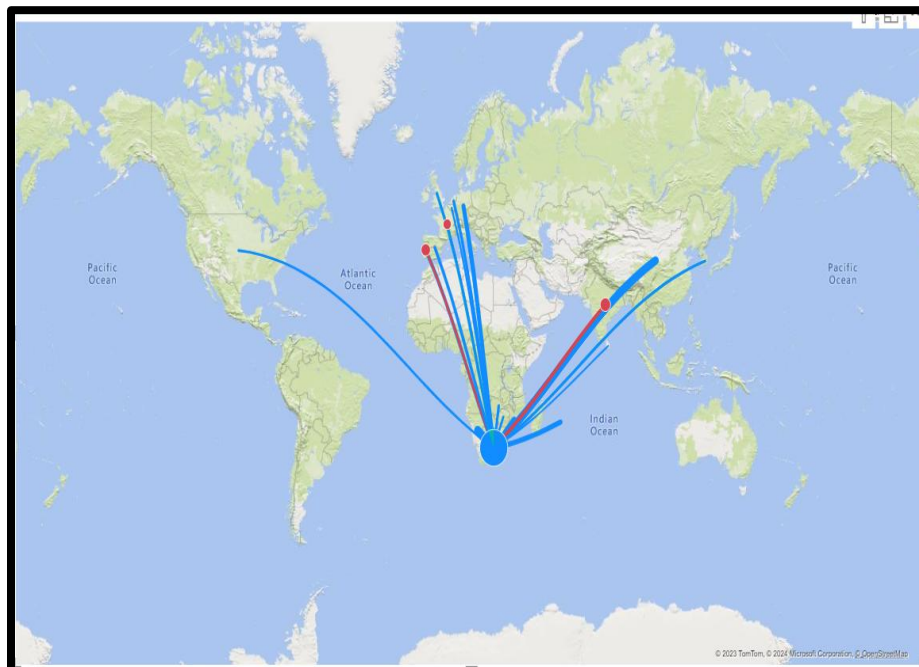


# LOOKER





# Dealing with big data and prioritisation?



Origin Continent	Origin Company	Sum of Amount imported (tons)	Sum of No of shipments
Europe		8 988.50	504
Asian		7 550.00	316
Europe	Poly-Mare GmbH	1 317.00	115
Europe	Emdeaf BV	820.00	65
Asian	Dongguan Yunjie Adhesive Co., Ltd	700.00	50
Asian	Chinyang Polyurethane Co.Ltd	2 040.00	48
Europe	ESRETEX S.L	700.00	45
Europe	Flex2000	550.00	45
Europe	Megaflex Schaumstogg, GmbH	550.00	45
Europe	N&P Alternative Fuel Ltd	2 000.00	20
Asian	Dongguan Tong He Sheng Foam Products Co. Ltd.	40.00	2
<b>Total</b>		<b>25 255.50</b>	<b>1255</b>

# MAIN CHALLENGES

- **Organised crime in the waste and pollution Sector?**
- Unique and complex crimes
- **Critical** – stop the damaging activity and to remove the risk from the environment. Compliance to administrative notices not punitive
- **Perverse incentive to pollute** – Low risk high profits due to perception that there are no consequences (Fines rather than imprisonment terms but does not equate to actual profits accrued and does not cover environmental rehab)
- Liability on the state to remove damage and to remediate the environment – ARBAC, Evraz import / export of waste (limited lawful facilities to dispose of waste once imported) – Obligations to continue monitoring (Qingdao)
- Understanding the commodity Understanding the nexus between Organised crime and Pollution crime

# Thank You!

**Ngiyabonga!  
Ndiyabulela!  
Dankie!  
Ndi a livhuwa!  
Ke a leboga!  
Ke a laboha!  
Ndzi khense ngopfu!  
Ngiyabonga ngiyabonga kakhulu!**  
thank you



**Author:** Grant Walters

**Director:** Enforcement - Environmental  
Impact and Pollution

**Email:** [Gwalters@dffe.gov.za](mailto:Gwalters@dffe.gov.za)

**Tel:** 0833212381



**forestry, fisheries  
& the environment**

Department:  
Forestry, Fisheries and the Environment  
REPUBLIC OF SOUTH AFRICA



**A NATION  
THAT WORKS  
FOR ALL**



Find us:  
Department of Forestry, Fisheries  
and the Environment



Follow us:  
Department of Forestry, Fisheries  
and the Environment (DFFE)



Watch us:  
EnvironmentZA



Follow us:  
@EnvironmentZA

Call centre: 086 111 2468 | Website: [www.dffe.gov.za](http://www.dffe.gov.za)